

# DATA SHEET 1 : 1

## CABLE TRAY WITH LOCK

SILTEC cable tray with locking is a new, patented tray, in which you can "sew" wires and tubing in and out, without using tools and clips for fastening.

This tray is particularly suitable for soft cables and hoses, in places where they must be removed and put back for service, replacement or the like.

The SILTEC cable tray with lock is well suited for machinery and similar structures. It is extremely easy to fit to the machinery.

By cutting out wires the cable tray can be bent in all directions.

The cable tray is likewise suitable for offices where computer installations etc. are moved regularly and it is necessary that all persons can move cables in and out of the system.

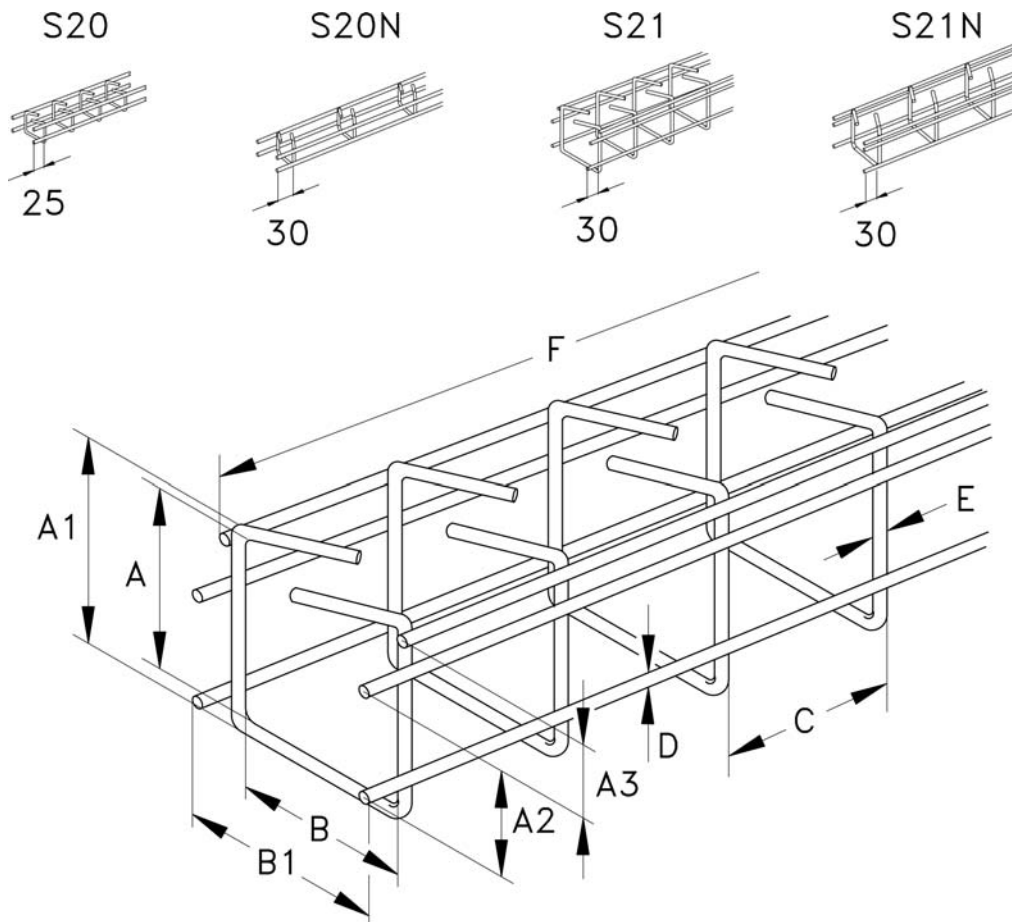
As a novelty types S20N and S21N have increased distance between the wires. To fix the cables you can squeeze some of the cross wires with flat nosed pliers. Thus you avoid the use of plastic strip fasteners.

Type No.	A <sup>1</sup>	A1 <sup>1</sup>	A2	A3	B <sup>2</sup>	B1 <sup>2</sup>	C	D	E	F
S20	27	33	18	-	30	44	50	Ø4	Ø3	3000
S20N	27	33	18	-	30	44	81	Ø4	Ø3	3000
S21	50	58	31,5	9	50	66	60	Ø4	Ø4	3000
S21N	50	58	31,5	9	50	66	81	Ø4	Ø4	3000

All measurements in mm.

<sup>1</sup>A + A1 +/- 1,5mm

<sup>2</sup>B + B1 +/- 1,5mm



SILTEC cable tray with locking is a new, patented tray, in which you can "sew" wires and tubing in and out, without using tools and clips for fastening.

This tray is particularly suitable for soft cables and hoses, in places where they must be removed and put back for service, replacement or the like.

The SILTEC cable tray with lock is well suited for machinery and similar structures. It is extremely easy to fit to the machinery.

By cutting out wires the cable tray can be bent in all directions. The cable tray is likewise suitable for offices where computer installations etc. are moved regularly and it is necessary that all persons can move cables in and out of the system.

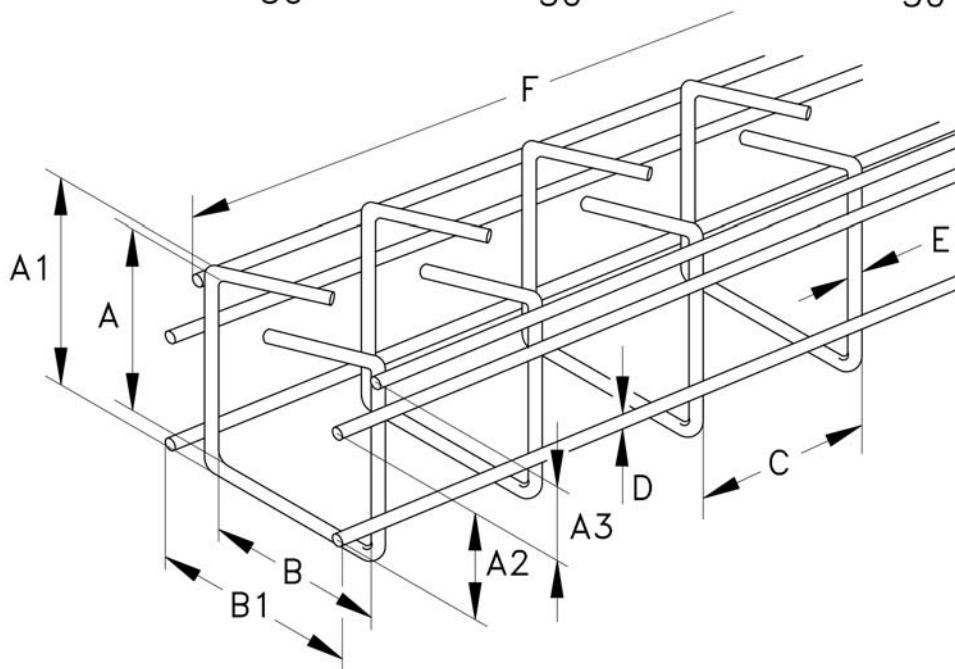
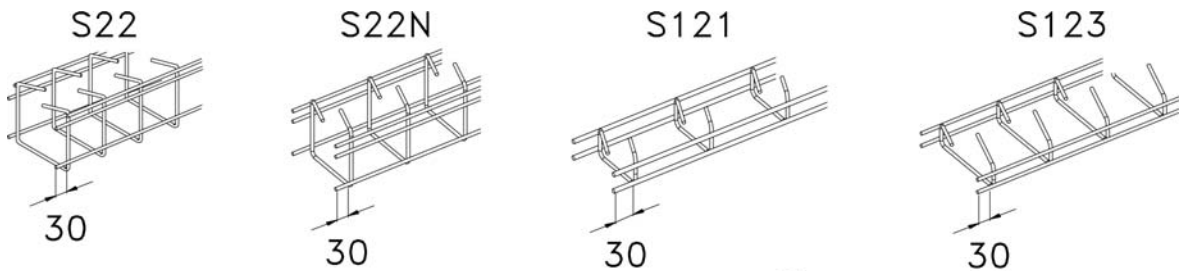
As a novelty types S22N, S121 and S123 have increased distance between the wires. To fix the cables you can squeeze some of the cross wires with flat nosed pliers. Thus you avoid the use of plastic strip fasteners.

Type No.	A <sup>1</sup>	A1 <sup>1</sup>	A2	A3	B <sup>2</sup>	B1 <sup>2</sup>	C	D	E	F
S22	75	83	50	15	75	91	60	Ø4	Ø4	3000
S22N	75	83	50	15	75	91	81	Ø4	Ø4	3000
S121	30	36	18	-	50	64	81	Ø4	Ø3	3000
S123	31	39	18	-	95	111	81	Ø4	Ø4	3000

All measurements in mm.

<sup>1</sup>A + A1 +/- 1,5mm

<sup>2</sup>B + B1 +/- 1,5mm



SILTEC's cable trays type S25, S26, S27, S28 and S29 are dimensioned to enable fixation of tubes, cables and wires with wire clamps (see page 5 and 8 in the product information guide). By using cable clamps correct spacing between the wires are ensured, and thus fulfils the new restriction regarding heat production and the fast growing demands to hygiene in connection to unwanted bacterial build-up, mounting of piles of ignitable dust etc.

By cutting out threads it's easy to create bends and curves, without using extra mounting devices. See page 6 in the product information guide.

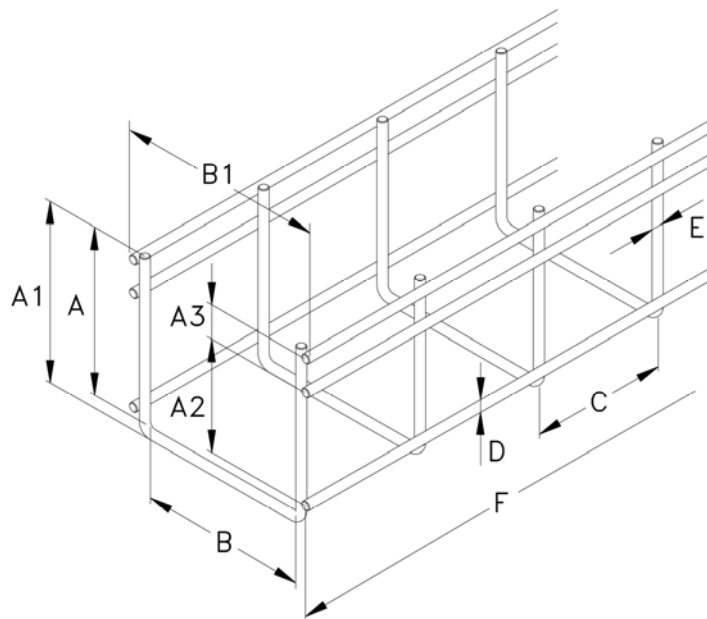
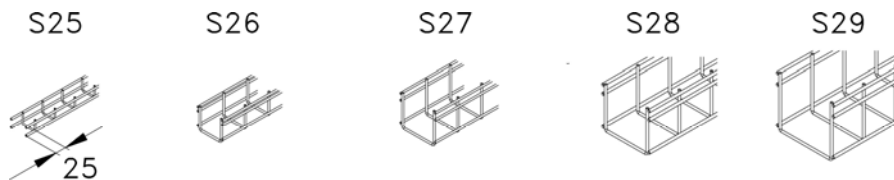
The trays are furthermore designed for sideways mounting with rack S45 or with the special racks shown on page 9 in the product information guide. These racks provide an easy and cheap mounting method.

Type No.	A <sup>1</sup>	A1 <sup>1</sup>	A2	A3	B <sup>2</sup>	B1 <sup>2</sup>	C	D	E	F
S25	24	27	18	-	28	42	50	Ø4	Ø3	3000
S26	50	54	32	9	50	66	61,15	Ø4	Ø4	3000
S27	75	79	50	15	75	91	61,15	Ø4	Ø4	3000
S28	100	105	72	20	100	122	83,2	Ø6	Ø5	3000
S29	125	130	90	25	125	147	83,2	Ø6	Ø5	3000

All measurements in mm.

<sup>1</sup>A + A1 +/- 1,5mm

<sup>2</sup>B + B1 +/- 2,0mm



# DATA SHEET 1 : 4

## STANDARD CABLE TRAY

SILTEC's cable trays type S30, S35, S36, S37, S38 and S39 are traditional cable trays with low side panels. S30 and S35 can be mounted sideways. S36, S37, S38 and S39 must be mounted on angle-panels or similar.

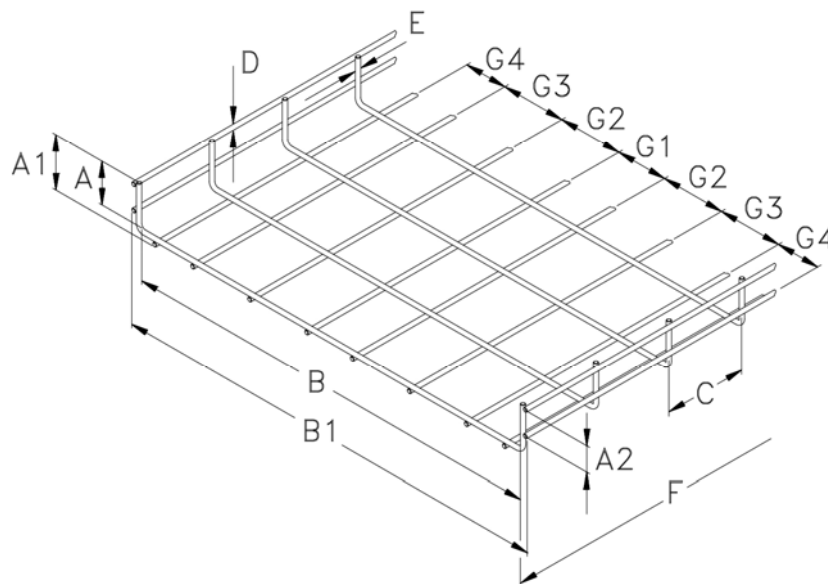
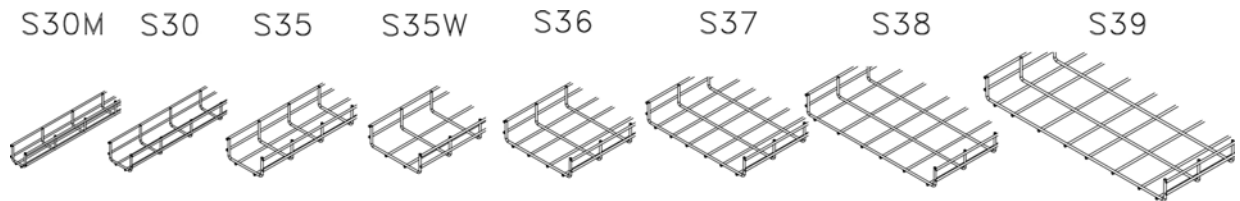
SILTEC's cable trays are versatile and easy to handle. The open construction allows for easy accessible installations. Overall is used rounded material, which makes the trays lenient to the installations.

Type No.	A	A1	A2	B	B1*	C	D	E	F	G1	G2	G3	G4
S30M	36	44	30	40	52	96,6	Ø4	Ø4	3000	17	-	-	
S30 Ø4	45	53	30	62	78	96,6	Ø4	Ø4	3000	30	-	-	
S30 Ø5	45	55	30	62	82	96,6	Ø5	Ø5	3000	30	-	-	
S35 Ø5	51	61	30	100	119	96,6	Ø5	Ø5	3000	60	-	-	
S35W	51	61	30	149	169	96,6	Ø5	Ø5	3000	60	-	-	
S36	51	61	30	200	220	96,6	Ø5	Ø5	3000	60	50	-	
S37	51	61	30	300	320	96,6	Ø5	Ø5	3000	60	50	50	
S38	51	61/62	30	400	420/422	96,6	Ø5/Ø6	Ø5	3000	60	75	75	
S39	51	61	30	500	520	96,6	Ø5	Ø5	3000	60	75	75	50

All measurements in mm.

<sup>1</sup>A + A1 +/- 1,5mm

<sup>2</sup>B + B1 +/- 2,0mm



# DATA SHEET 1 : 5

## COMPACT CABLE TRAY

SILTEC Cable Trays type S115, S116 and S125 up until S133 have side walls of 11 – 36 mm height and 37 – 320 mm width. The wire thickness ranges from 3 – 5 mm especially produced for manufacturers of machinery.

With the exception of type S125 all cable trays are made with 2 bottom wires.

Installation is normally done with wall fittings, clamps or is weldable, or using existing constructions.

Siltec-cable trays are flexible and easy to handle.

The open design ensures easily accessible installations. Everything is made from round material which protects the installed items when used in:

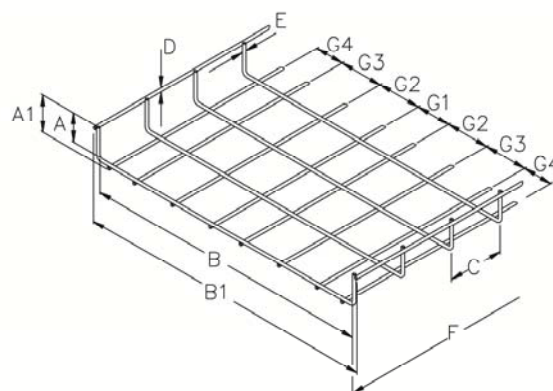
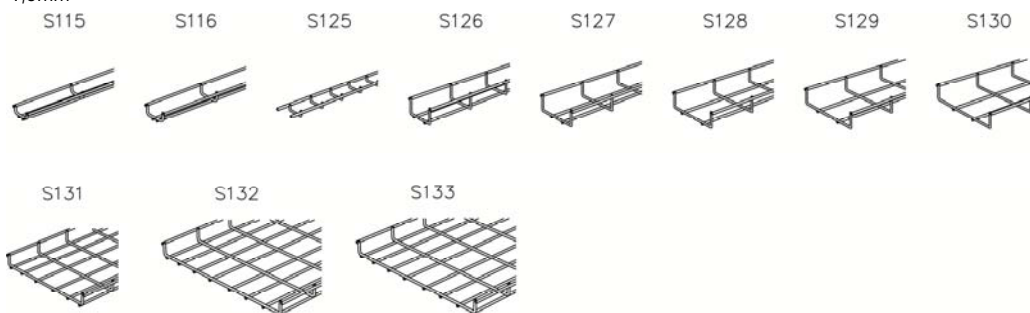
- The food industry
- The confectionary industry
- The chemical and pharmaceutical industry
- Dairies
- Plants for freshwater
- Breweries

Typ No.	A <sup>1</sup>	A1 <sup>1</sup>	B <sup>2</sup>	B1 <sup>2</sup>	C	D	E	F	G1	G2	G3	G4
S125	8	11	24	38	50	Ø4	Ø3	2800	-			
S126	26	34	50	64	96,6	Ø4	Ø3	3000	30			
S127	26	34	75	91	96,6	Ø4	Ø4	3000	30			
S128	26	34	100	116	96,6	Ø4	Ø4	3000	60			
S129	26	36	125	145	96,6	Ø5	Ø5	3000	60			
S130	27	36	150	170	96,6	Ø5	Ø5	3000	60			
S131	27	36	250	270	96,6	Ø5	Ø5	3000	60	50	40	
S132	27	36	350	370	96,6	Ø5	Ø5	3000	60	50	50	40
S133	27	36	450	470	96,6	Ø5	Ø5	3000	60	75	75	40
S115	8	14	25	37	100	Ø3	Ø3	3000	9			
S116	15	21	30	42	100	Ø3	Ø3	3000	9			

All measurements in mm.

<sup>1</sup>A + A1 +/- 1,5mm

<sup>2</sup>B + B1 +/- 1,5mm



# DATA SHEET 1 : 6

## CABLE TRAY – HEAVY MODEL

Siltec Cable Trays type S428, S436, S437 and S438 are equipped with high side walls of 100mm with a wire thickness of 5mm.

Installation is normally done on angle brackets or similar constructions.

Siltec cable trays are flexible and easy to handle

The open design ensures easy installation.

Everything is made from round material which protects the installed items when used in:

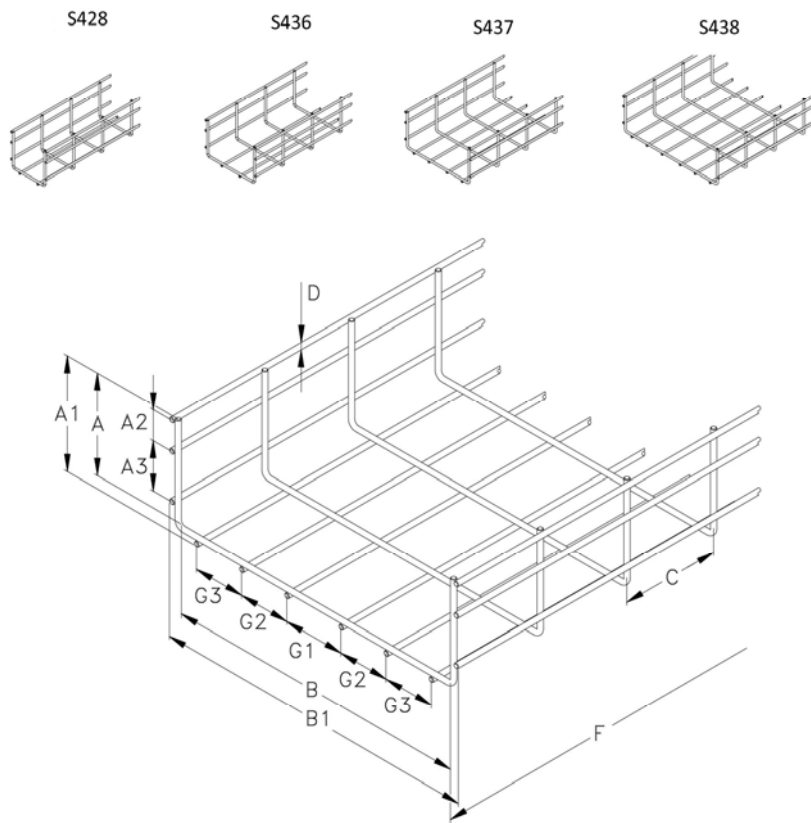
- The food industry
- The confectionary industry
- The chemical and pharmaceutical industry
- Dairies
- Plants for freshwater
- Breweries

Typ.No.	A <sup>1</sup>	A1 <sup>1</sup>	A2	A3	B <sup>2</sup>	B1 <sup>2</sup>	C	D	F	G1	G2	G3
S428	100	108	30	40	100	118	96,6	5	3000	60	-	-
S436	100	108	30	40	200	218	96,6	5	3000	60	50	-
S437	100	108	30	40	300	318	96,6	5	3000	60	75	-
S438	100	108	30	40	400	96,6	5	3000	60	75	75	

All measurements in mm.

<sup>1</sup>A + A1 +/- 2,0mm

<sup>2</sup>B + B1 +/- 2,0mm



# DATA SHEET 1 : 7

## CABLE TRAY – TYPE C

Siltec Cable Trays type S30M-X, S30-X, S35-X, and S36-X have sides bent inwards and are made in 4 and 5mm wires providing high twisting and bending strength.

Installation is normally done on angle brackets or similar constructions.

Siltec cable trays are flexible and easy to handle

The slightly closed construction prevents the cables from sliding out when placed in S30M-X, S30X, S35-X, and S36X and they can be used as alternatives to the types S20 – S123.

Everything is made from round material which protects the installed items when used in:

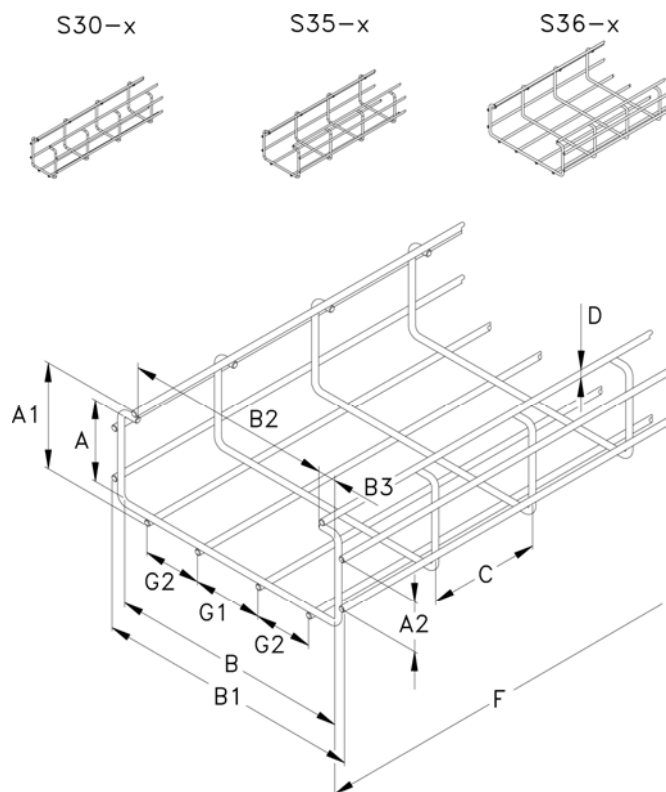
- The food industry
- The confectionary industry
- The chemical and pharmaceutical industry
- Dairies
- Plants for freshwater
- Breweries

Type Nr.	A <sup>1</sup>	A1 <sup>1</sup>	A2	B <sup>2</sup>	B1 <sup>2</sup>	B2	B3	C	D	F	G1	G2	G3
S30M-X	51	66	32	56	70	35	16	96,6	4	3000	30	-	-
S30-X	70	85/89	40	68	86	35	16	96,6	4	3000	30	-	-
S35-X	70	85/89	40	114	127	65	16	96,6	4	3000	60	-	-
S36-X	73	93	40	207	227	180	16	96,6	5	3000	60	50	-

All measurements in mm.

<sup>1</sup>A + A1 +/- 1,5mm

<sup>2</sup>B + B1 +/- 2,0mm



SILTEC - Cable Trays heavy model type S235 to S240 are intended for very heavy loads and supports up until 6000 mm width.

The sides are reinforced with a 5 mm zigzag-wire to prevent the tray from twisting and bending. This is further supported by the double wires in the bottom and along the upper edge.

Everything is made from round material which protects the installed items when used in:

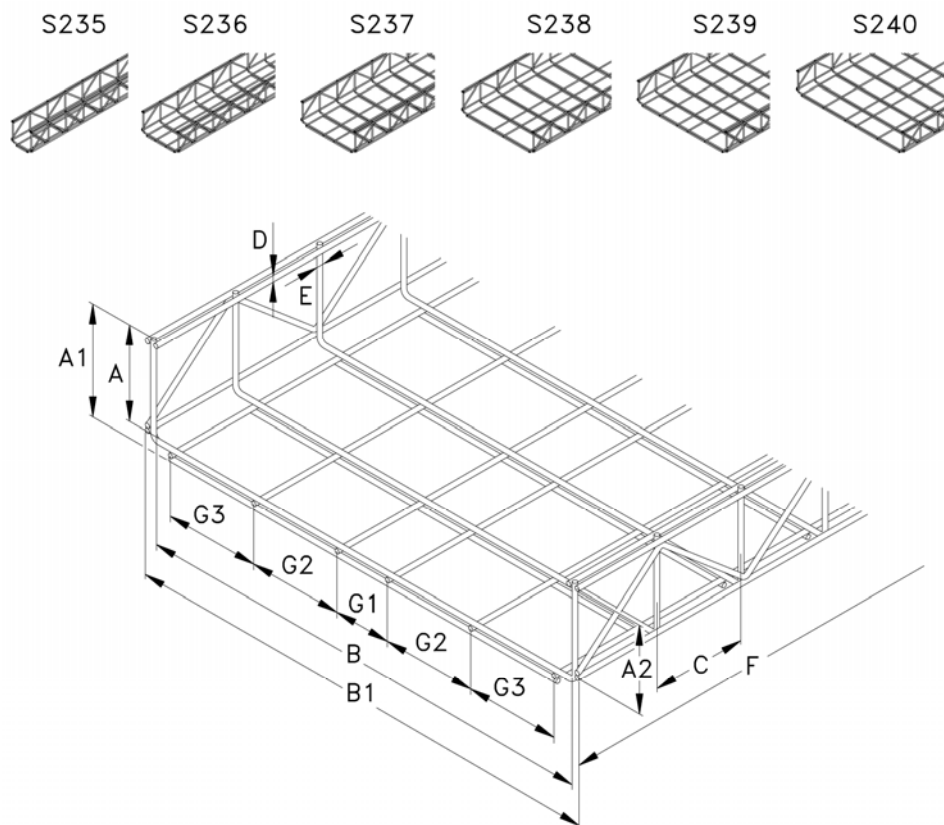
- The food industry
- The confectionary industry
- The chemical and pharmaceutical industry
- Dairies
- Plants for freshwater
- Breweries

Typ Nr.	A <sup>1</sup>	A1 <sup>1</sup>	A2	B <sup>2</sup>	B1 <sup>2</sup>	C	D	E	F	G1	G2	G3
S235	100	110	93	100	120	100	5	5	3000	60	-	-
S236	100	115	93	200	220	100	5	5	3000	60	50	-
S237	100	115	93	300	320	100	5	5	3000	60	100	-
S238	100	115	93	400	420	100	5	5	3000	60	145	-
S239	100	115	93	500	520	100	5	5	3000	60	100	100
S240	100	115	93	600	620	100	5	5	3000	60	125	125

All measurements in mm.

<sup>1</sup>A + A1 +/- 2,0mm

<sup>2</sup>B + B1 +/- 2,0mm





SILTEC's mounting rack type S45 is designed to allow cable trays S20 to S35 to be mounted both vertical and horizontal.

For wall-mounting, mounting on pendant or similar, mounting rack S45 has two holes, each with a dimension of 7 x 12 mm.

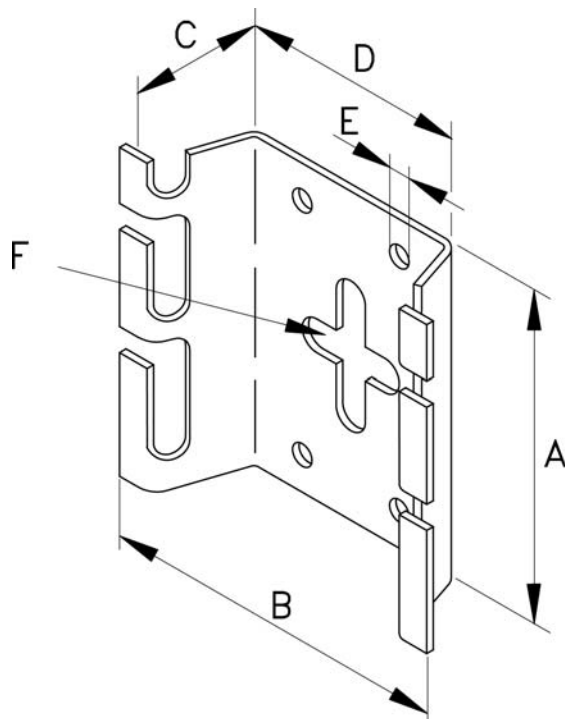
After the cable tray has been mounted in the rack, it can be locked to the rack by bending tabs. This assures that the cable tray can be loosened again for changes in installations.

The rack is made of 2,00 mm plate, and it has a slot in the back, so that the possible contact face is obtained. This ensures a better hygiene. The rack has also been designed with a minimum amount of horizontal surfaces, for better hygiene.

Specials racks can be delivered for all trays. See page 9 in the product information guide and data sheet 3:3 and 3:4.

Type No.	A	B	C	D	E
S45	88	95	25	58	Ø6 / 30 X 6
S45m	55	55	20	53	-

All measures in mm.



# DATA SHEET 3 : 2

## ANGLE CONSOLES

Angle consoles are made in 2 mm plate. The end flanges of the consoles are equipped with 2 mounting holes, 10 x 15 mm, for fixing on walls, pendants or similar.

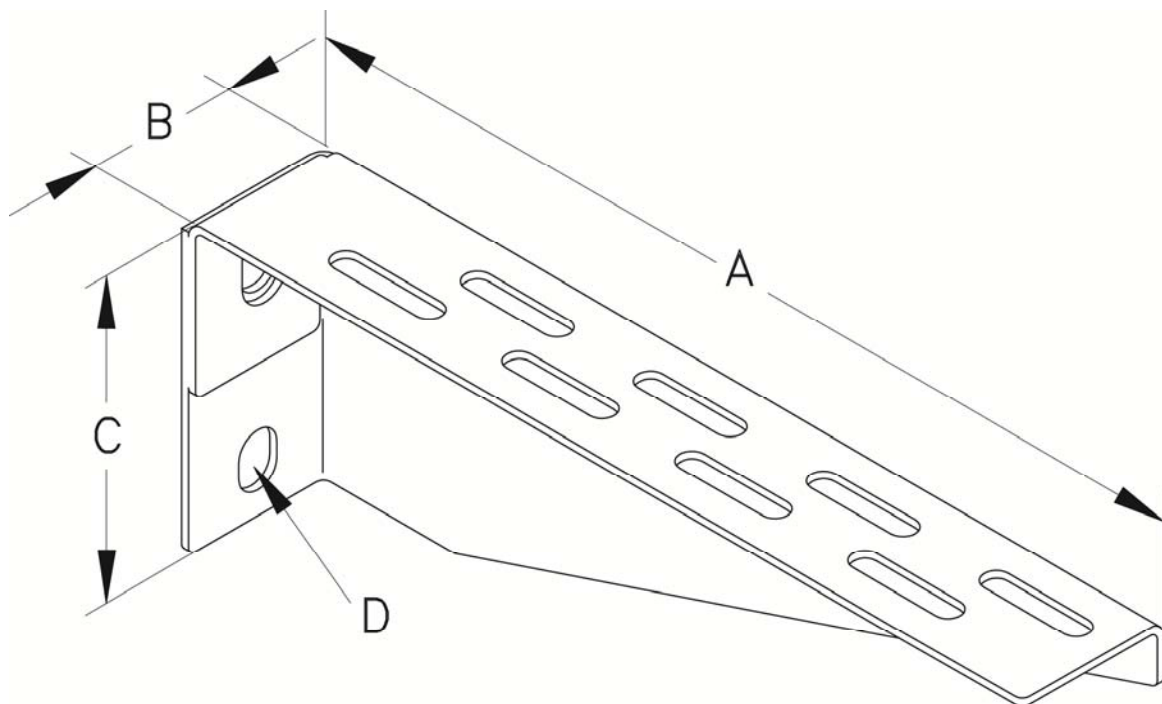
On the upper side of the angle console oblong holes have been cut out for mounting the cable tray, but this furthermore allows for adjusting the console and cable tray, to eliminate the curvature of the wall.

A space of 30-35 mm is required between the inner edge of the cable tray and the wall, but this can be adjusted +/-.

The cable tray is screwed onto the angle console with two buckles S87 plus 2 bolt sets S90 or 2xS90H.

Type No.	A	B	C	D	For mounting cable tray type:
S65	145	40	82	10 x 15	S30 and S35
S66	245	40	82	10 x 15	S36
S67	345	40	82	10 x 15	S37
S68	450	40	82	10 x 15	S38

All measurements in mm.



SILTEC's special racks can be delivered for screw-assembly or as welding fittings. These fittings are made of acid-resistant stainless steel. The fittings are made adapted for the individual trays and are recommended used, if you want the optimum hygiene.

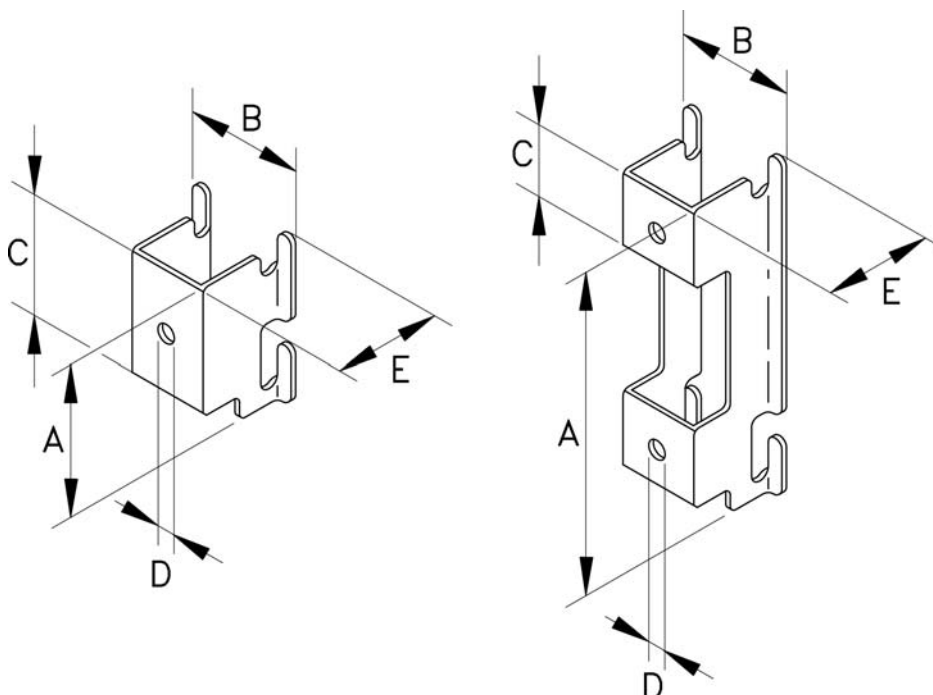
After the cable tray has been mounted, it can be locked to the rack by bending flanges. This assures, that the tray can be taken off for alterations, test-assembly etc. The fittings are made from Aisi 316 stainless plate and have slots in the back, so that the possible contact face is obtained. This ensures a better hygiene.

The rack has furthermore been designed with a minimum amount of horizontal surfaces, for better hygiene. Special racks can be found in the product information guide, on page 9.

Type No.	A	B	C	D	E	For horizontal mounting of cable tray type:
S46	35	40	-	Ø5	15	S20 and S25
S47	50	40	-	Ø5	15	S21 and S26
S48	69	40	23	Ø5	15	S22, S27 and S30
S49	89	40	23	Ø5	15	S28
S50	109	40	23	Ø5	15	S29

Type No.	A	B	C	D	E	For vertical mounting of cable tray type:
S56	69	23	15	Ø5	8	S20 and S25
S57	79	40	23	Ø5	15	S21, S22, S26, S27 and S30
S156	94	22	15	Ø5	8	S20N
S157	98	40	25	Ø5	15	S21N, S22N, S121 and S123
S58	100	40	23	Ø5	15	S28 and S29
S59	117	40	23	Ø5	15	S35, S36, S37 and S38

All measurements in mm.



SILTEC's special racks can be delivered for screw-assembly or as welding fittings. These fittings are made of acid resistant stainless steel. The fittings are adapted for the individual trays, and are recommended used, if you want the optimum hygiene and on machines and similar constructions.

After the cable tray has been mounted, it can be locked to the rack by bending flanges. This assures, that the tray can be taken off for alterations, test-assembly etc.

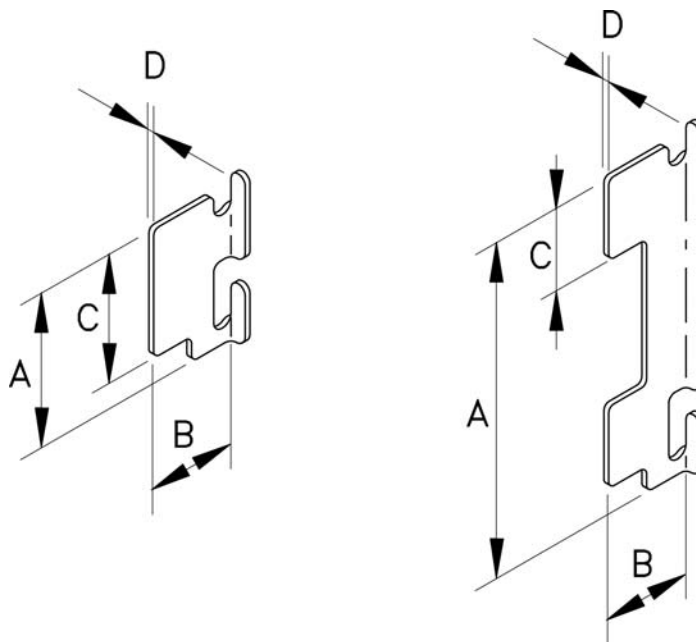
The fittings are made from Aisi 316 stainless steel plate and have slots in the back, so that the possible contact face is obtained. This ensures a better hygiene.

The rack has furthermore been designed with a minimum amount of horizontal surfaces, for better hygiene. Special racks can be found in the product information guide, on page 9.

Type No.	A	B	C	D	For horizontal mounting of cable tray type:
S51	28	26	20	1,5	S20 and S25
S52	43	26	35	1,5	S21 and S26
S53	62	26	23	1,5	S22, S27 and S30
S54	82	26	23	1,5	S28
S55	102	26	23	1,5	S29

Type No.	A	B	C	D	For vertical mounting of cable tray type:
S60	63	26	14	1,5	S20 and S25
S61	72	26	23	1,5	S21, S22, S26, S27 and S30
S62	93	26	23	1,5	S28 and S29
S63	110	26	23	1,5	S35, S36, S37 and S38

All measures in mm.



## ANGLE CONSOLE – EXTRA STRONG

These angle consoles are made in 2 mm plate with back flange in 4 mm plate.

This angle console must be used, when the cable tray is equipped with side reinforcement or for cable ladders. The console can also be used for cable trays without side reinforcement.

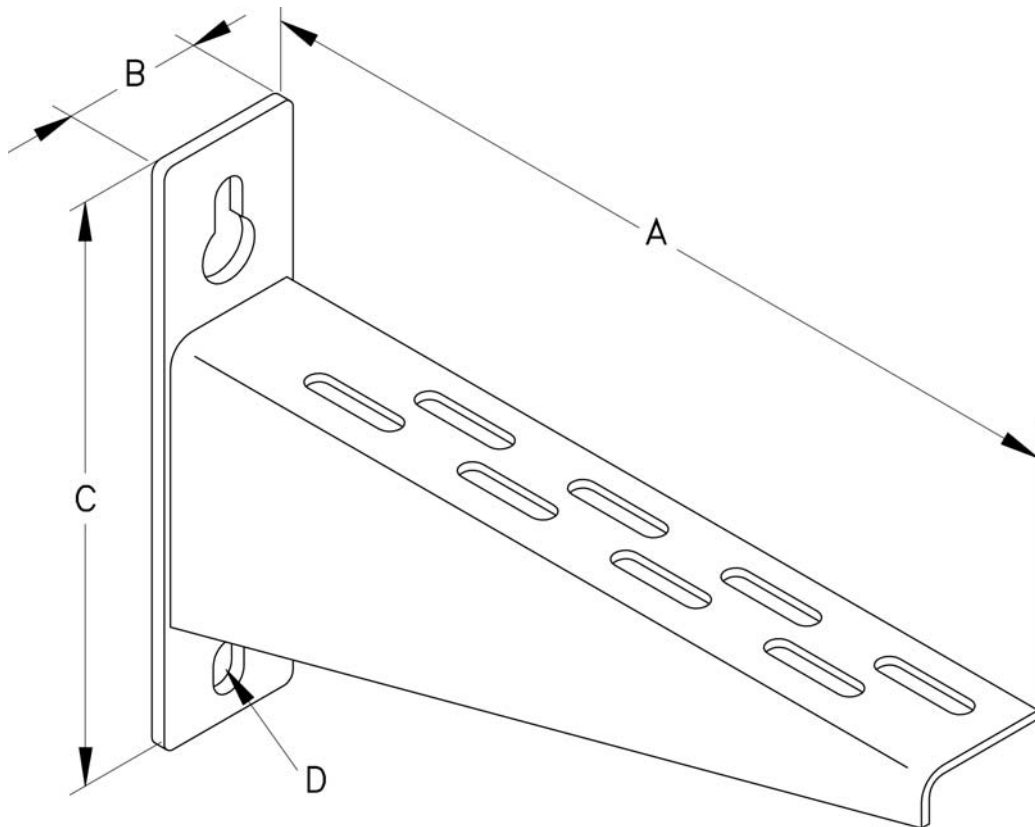
On the upper side of the angle console oblong holes have been cut out for mounting the cable tray, but this

furthermore allows for adjusting the console and cable tray, to eliminate the curvature of the wall. A space of 30-35 mm is required between the inner edge of the cable tray and the well, but this can be adjusted +/-.

The cable tray is screwed onto the angle console with 2 pcs of S87 + 2 pcs S90 assembling plates or 2xS90H.

Type No.	A	B	C	D	E	F	G	For mounting cable ladders and cable trays with side reinforcement type:
S275	145	40	165	42	Ø17	8,5 x 13	10 x 15	S35 + S235
S276	245	40	165	42	Ø17	8,5 x 13	10 x 15	S36 + S236
S277	345	40	165	42	Ø17	8,5 x 13	10 x 15	S37 + S237
S278	445	40	165	42	Ø17	8,5 x 13	10 x 15	S38 + S238
S279	545	40	165	42	Ø17	8,5 x 13	10 x 15	S239
S280	646	40	165	42	Ø17	8,5 x 13	10 x 15	S240

All measures in mm.



# DATA SHEET 4: 1

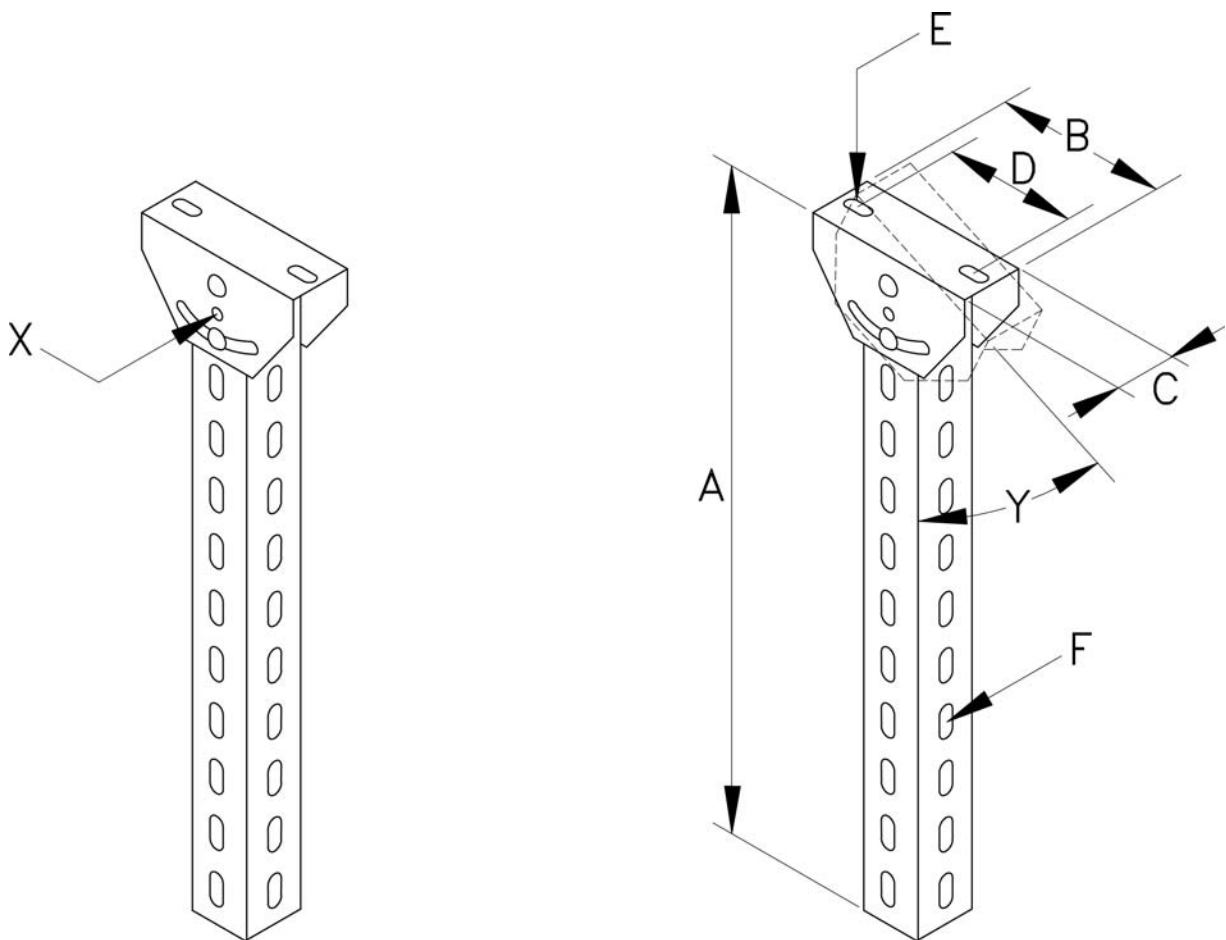
## CEILING PENDANT

SILTEC's ceiling pendant type S71 can be equipped with a ceiling pendant extender of 1000 mm. This increases the A-measurement to 1450 mm. The top flange can be tilted 45 degrees to each side = Y. The tilting function can be fixed with a bolt. If the bolt is mounted in position X, the top flange and pendant is locked in 90 degrees.

The pendant can be equipped with racks on 3 sides. Rack S45 and angle console S65, S66, S67 and S68 are suitable for the pendant. 2 sets of screws should be used for each rack.

Type No.	A	B	C	D	E	F
S71	500	150	50	114	13 x 20	6,0 x 15
S71 / 250	250	150	50	114	13 x 20	6,0 x 15
S71 / 750	750	150	50	114	13 x 20	6,0 x 15

All measurements in mm.



# DATA SHEET 5 : 1

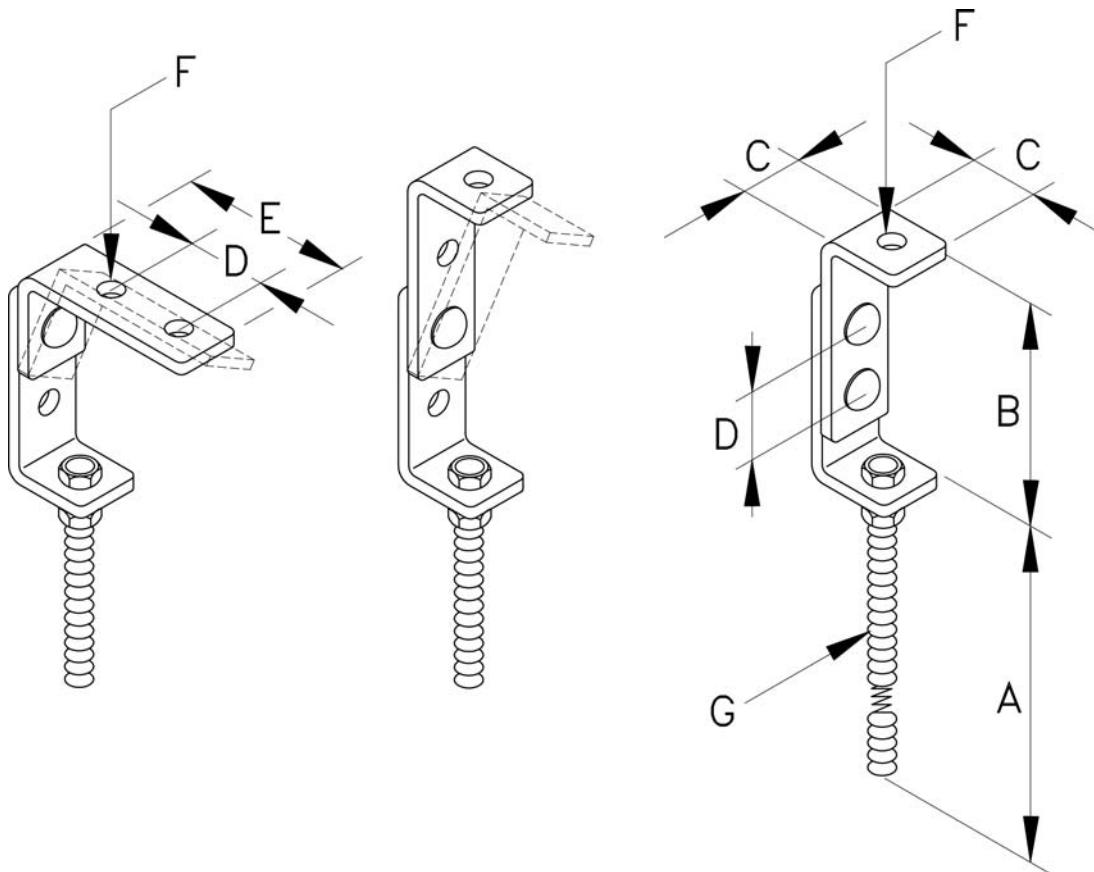
## CEILING PENDANT

SILTEC's ceiling pendant type S73 is developed for centre mounting of trays. Besides the ceiling pendant, a centre rack type S74, S75, S77, S78 or S79 should be used. This ceiling pendant is a cheaper type than S71, but this type does not allow for mounting of trays on the side of pendant S73.

The top flange can be tilted to the required angle. Should 2 screws be acquired for mounting in the ceiling, one part of the top flange can be turned.

Typ Nr.	A	B	C	D	E	F	G
S73	1000	78	25	32	65	8,5	Ø8

All measurements in mm.



# DATA SHEET 6 : 1

## SEPARATING RAIL

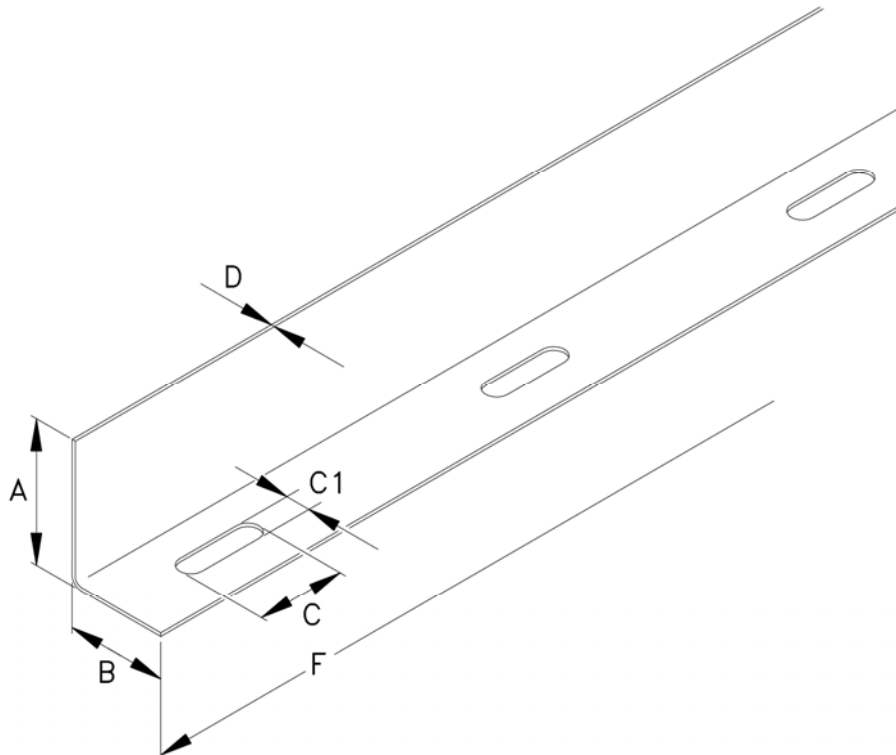
SILTEC – separating rail for cable trays type standard, open, compact, and heavy model.

A material thickness of **1mm** gives great stability and protects against damage of cables.

With its simple construction without bends and grooves this separating rail meets in particular the high requirements to hygiene within:

The food industry  
The confectionary industry  
The chemical and pharmaceutical industry  
Dairies  
Plants for freshwater  
Breweries

Typ. Nr.	A	B	C	C1	D	F
S85 – 41	41	25	25	7	1,0	2000
S85 – 85	85	25	25	7	1,0	2000
S85 – 96	96	25	25	7	1,0	2000
S285 – 72	72	25	25	7	1,5	2000





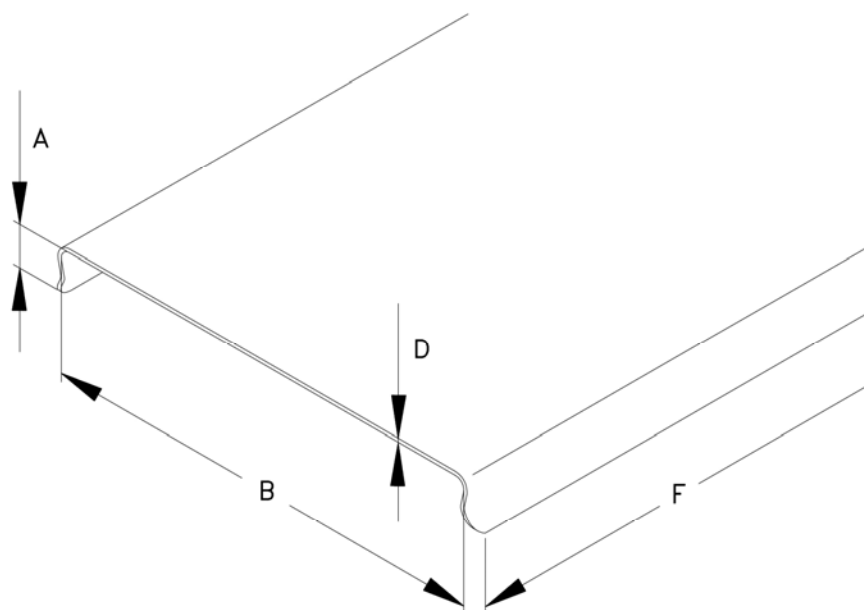
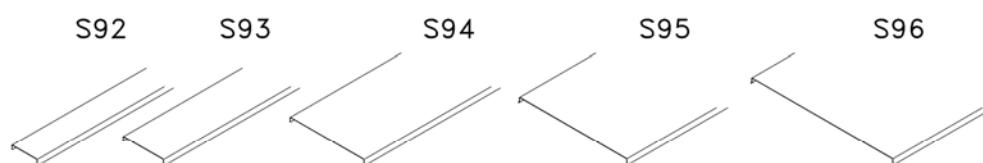
# DATA SHEET 6 : 2

## COVER

Cover for Siltec cable trays. Is clicked onto cable trays type S30 – S38.

The cover is made with a material thickness of 1 mm and in a length of 2000mm  
The cover lies firmly over the cable tray.

Typ. Nr.	A	B	D	F
S92	16	80	1,0	2000
S93	16	120	1,0	2000
S93W	16	170	1,0	2000
S94	16	220	1,0	2000
S95	16	320	1,0	2000
S96	16	420	1,0	2000



# DATA SHEET 6 : 3

## COVER

Sloping cover to click onto Siltec cable trays type S30M – S38.  
The slope reduces the settlement of dirt and dust.

The cover is made with a material thickness of 1 mm and in a length of 2000mm

The cover lies firmly over the cable tray..

Liquids run off, which makes cleaning easier.

Typ. Nr.	A	A1	B	D	F
S191	16	4	53	1,0	2000
S192	16	8	80	1,0	2000
S193	16	10	120	1,0	2000
S193W	16	16	170	1,0	2000
S194	16	17	220	1,0	2000
S195	16	29	320	1,0	2000
S196	16	35	420	1,0	2000

