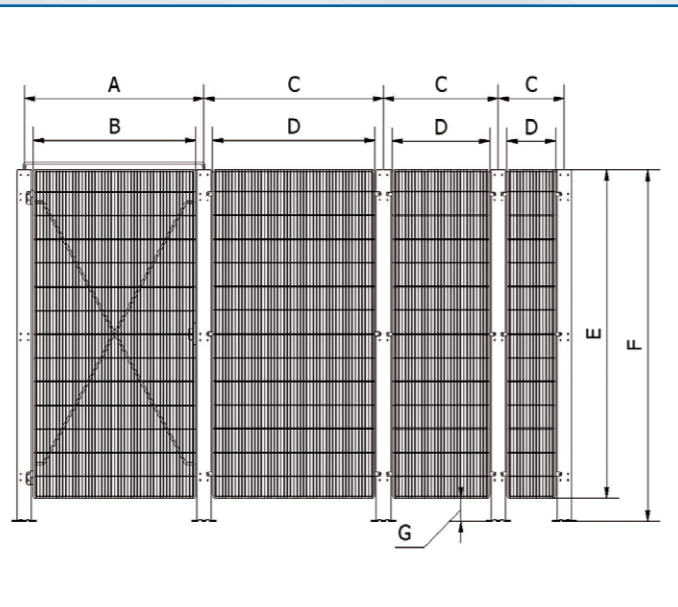


## Standard module dimensions

### 2,000 mm standard module

Letter	Description	Dimensions in mm
A	Door module, c-c post	1106
B	Door width	1000
C	Module, c-c post	1106/706/406
D	Mesh width	1000/600/300
E	Mesh height	1870
F	Post height	2000
G	Clearance	130

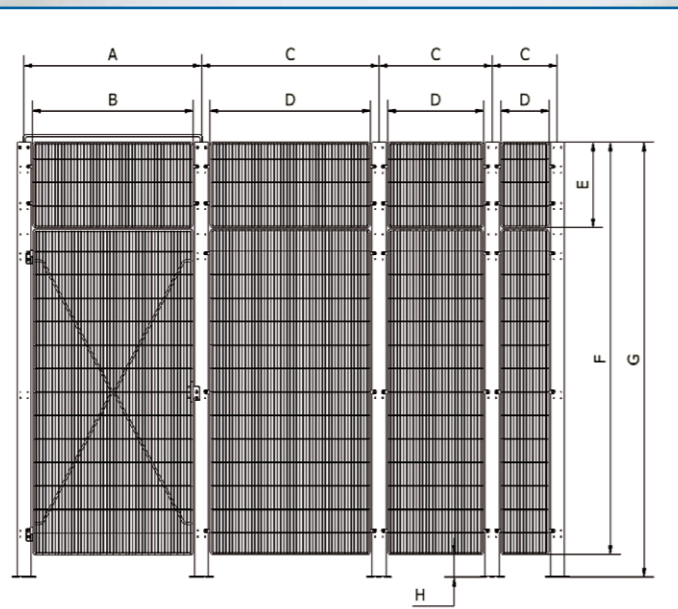
Mesh type		
Mesh, c-c		135-20
Wire		Ø3 mm & Ø4 mm



### 2,500 mm standard module

Letter	Description	Dimensions in mm
A	Door module, c-c post	1106
B	Door width	1000
C	Module, c-c post	1106/706/406
D	Mesh width	1000/600/300
E	Top mesh height	490
F	Mesh height	2370
G	Post height	2500
H	Clearance	130

Mesh type		
Mesh, c-c		135-20
Wire		Ø3 mm & Ø4 mm



NTF-Aalborg A/S is a dynamic and innovative niche company with over 25 skilled employees, a modern fleet of machinery and approx. 2,800 m<sup>2</sup> of office and production space at its disposal

### Process equipment

An extensive programme of wire rack, wire baskets and other customer-tailored solutions in stainless wire and rod steel, with focus on handling and refinement primarily in the food industry

### Inventory and hygiene

The NTF Hygiene programme encompasses a broad range of products, in particular, hygiene stations and stainless products for staff facilities

### www.ntf.dk

Our website gives you access to up-to-date information and a complete overview of our product programme, with photographs and drawings

NTF Aalborg  
 Aalborg  
 Denmark  
 Phone: +45 9837 3766  
 Fax: +45 9837 3751  
 Email: mail@ntf.dk  
 Website: www.ntf.dk



Stainless steel designed for your benefit!

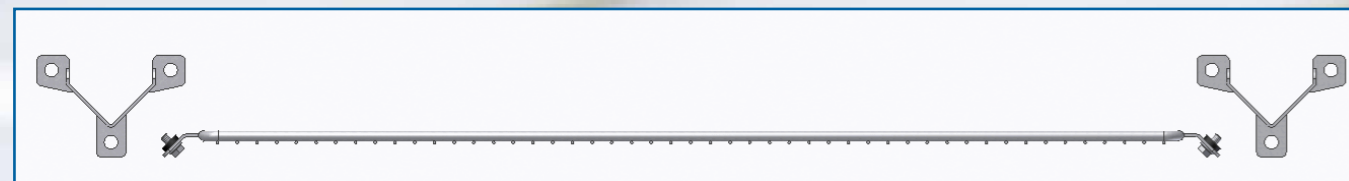
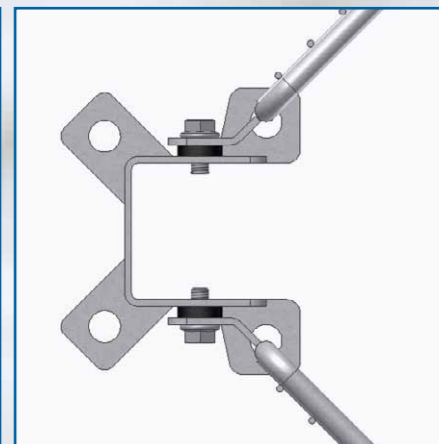
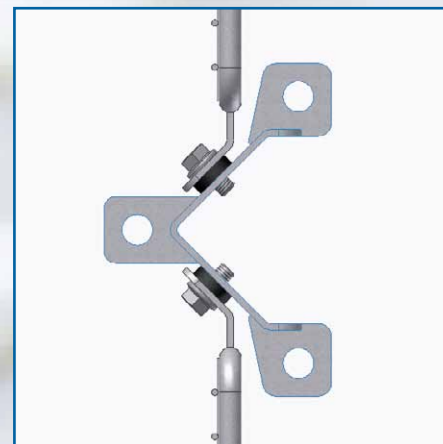
Version 2010-01 GB



## No closed profiles



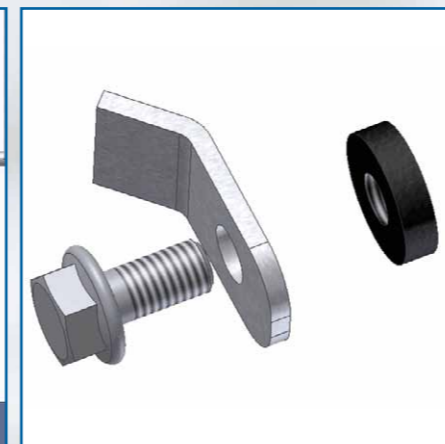
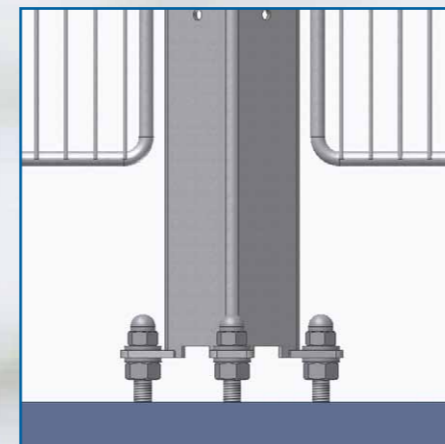
- Easy assembly
- No horizontal surfaces
- Complies with EN ISO 13857:2008
- Standard heights of 2,000mm and 2,500mm
- Modular structure
- Easy setup and assembly
- Completely constructed in AISI 304, 1st cl. pickled
- Can be supplied in AISI 316 on request



## Easy assembly



- All joints are made with flange bolts and spacers.
- Can be supplied with special thread rods to raise from the floor
- Even for installations not raised from the floor, it is possible to clean effectively and hygienically due to our patented design
- Spacers are provided in order to achieve optimal hygienic conditions in "High Risk Zones"



Easy one man assembly due to the newly designed joining method

Meet the requirements of section 1.4.2.1. of annex 1 of the Machinery Directive.

- The fixing system must remain attached to either the fencing or the post
- Tools must be used on disassembly
- Fixed fencing must be incapable of remaining in place without its fixings

## Sliding door system



- A cleaning-friendly sliding door system
- The large roller surface allows for optimal life-time and increased stability
- The solid and simple locking mechanism ensures effective closure of the sliding door

